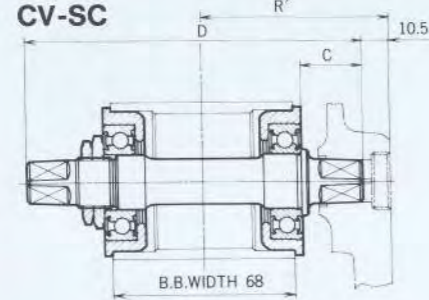
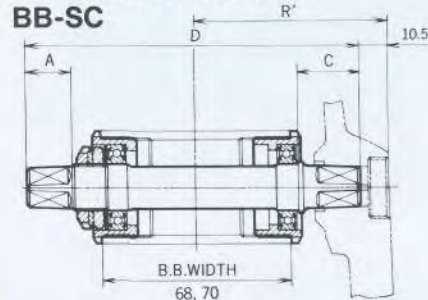




AXLE SPECIFICATION



● Model BB-SC

Axle: Cr-Mo Steel.
 Cup & Nut: Duralumin, Anodized, Steel, Chrome Plating (C.P.) Sealed Bearing type.
 Thread: 1.37" x 24T (R.L.)
 Available for 68mm, 70mm in B.B. Widths.
 Weight: Duralumin Cup & Nut + Axle 250g 8.82 oz
 Steel Cup & Nut + Axle 300g 10.6 oz

Suitable for Crank Models
 (MS) SAMC, MCVS, MCS.
 (MW) DAMC, MCVD, MCCD, MCD, MTD.
 (SB) DAT, DAAS, ASD, DGS, DGT, DRT, DBT.
 (RB) TAT, TPX, TGT, TRT, TBT.
 (RRB) MTB use.

● Model CV-SC

Axle: Cr-Mo Steel, Black finish
 Cup: Sealed Bearing type Light alloy, Anodized.
 Cup Force-fitting dia: 51.5mm
 Weight: 480g 16.9 oz
 Suitable for Crank Models
 (MC) DAMC, MCVD, MCCD, MCD, MTD.
 (M) DAT, DAAS, ASD, DGS, DGT, DRT, DBT.
 (H) CT-BMX, AT-BMX, GT-BMX, MAXY-CROSS
 (FT) FT-BMX

● Model OPC-SC

Cup is Duralumin, Anodized.
 Sealed Bearing type.
 Cup Force-fitting dia: 51.5mm
 Weight: 195g 6.87 oz
 Suitable for U.S.A. type one-piece crank

MODEL	D	C	A	R'
MS	114.5	18	16	65
MW	118.5	21.5	16	69
SB	124.5	26	16	74
RB	129	30.5	16	78.5
RRB	136	31	24	78.5

MODEL	D	C	R'
MC	122	22.5	69.5
M	128	27	74
H	131	30	77
FT	132	31	78.2

Crank is gravity-Cast light alloy, Cotterless Type. Crank and arm are Cast in one piece.



SUGINO RT

● Model DRT
 Crank Length: 165, 170, 175mm
 Chainring: 1/2" x 3/32"
 Outer: 50, 52T
 Inner: 34, 36, 39, 40, 42, 44, 45T
 Weight: 660g 23.28 oz (52 x 40 x 170 Right and Left Crank)
 B.B. Axle: Maxy type Axle

● Model TRT

Crank Length: 165, 170, 175mm
 Chainring: 1/2" x 3/32"
 Outer: 50, 52T
 Center: 42, 44, 45, 46T
 Inner: 24, 26, 28, 30, 34, 36, 39, 40T
 Weight: 750g 26.45 oz (52 x 40 x 28 x 170 Right and Left Crank)
 B.B. Axle: Maxy type Axle

SUGINO BT

● Model DBT
 Crank Length: 165, 170, 175mm
 Chainring: 1/2" x 3/32"
 Outer: 46, 48, 50, 51, 52, 53T
 Inner: 34, 36, 39, 40, 42, 44, 45T
 Weight: 690g 24.34 oz (52 x 40 x 170 Right and Left Crank)
 Chainguard: Model G5DP, G5D
 B.B. Axle: Maxy type Axle

● Model TBT

Crank Length: 165, 170, 175mm
 Chainring: 1/2" x 3/32"
 Outer: 46, 48, 50, 51, 52, 53T
 Center: 42, 44, 45, 46T
 Inner: 24, 26, 28, 30, 34, 36, 39, 40T
 Weight: 780g 27.51 oz (52 x 40 x 28 x 170 Right and Left Crank)
 B.B. Axle: Maxy type Axle