



Shimano  
**DURA-ACE**  
Series for Road & Touring



Model BA-100



Model MA-100



Model KA-210



Model UA-100



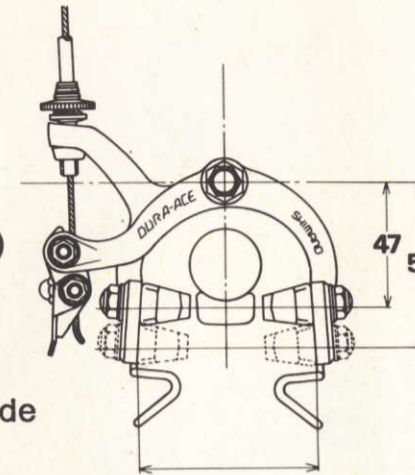
Model NB-100



Model NB-120



Model KD-100



**Caliper Brake**

Model BA-100  
**DURA-ACE**  
SPECIFICATIONS

Weight: Front 6.7 oz. (190g)  
Rear 6.7 oz. (190g)

Material: Duralumin  
Type: Side Pull with Quick Release and Tire guide

**Brake Lever**

Model MA-100  
**DURA-ACE**  
SPECIFICATIONS

Weight: 5.2 oz. (150 g)/Pair  
Material: Light Alloy  
Type: Hooded Lever with Rubber Cover  
Lever Clamp Diameter: 23.8φ

**Head Parts**

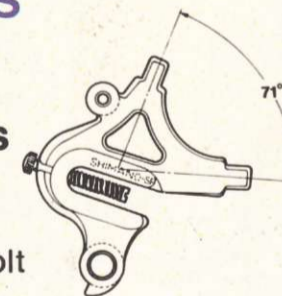
Model UA-100  
**DURA-ACE**  
SPECIFICATIONS

Material: Chromium Bearing Steel  
Type: Road Type  
Polished Ball Race

**Fork Ends**

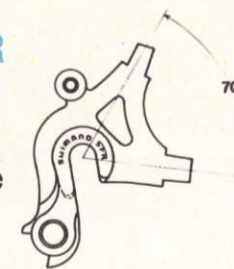
Model NB-100  
**SHIMANO-SF**  
SPECIFICATIONS

Material: Steel  
Type: Road Type  
With Adjusting Bolt



Model NB-120  
**SHIMANO-SFR**  
SPECIFICATIONS

Material: Steel  
Type: Touring Type  
Vertical Drop Out



**Pump Holder**

Model KD-100  
**PUMP HOLDER**  
SPECIFICATIONS  
Clamp Diameter: 1-1/8"  
Material: Steel

**Outer Band**

Model KA-210  
**OUTER BAND**  
SPECIFICATIONS  
Clamp Diameter: 1"  
Material: Steel



**DURA-ACE Black Series**

