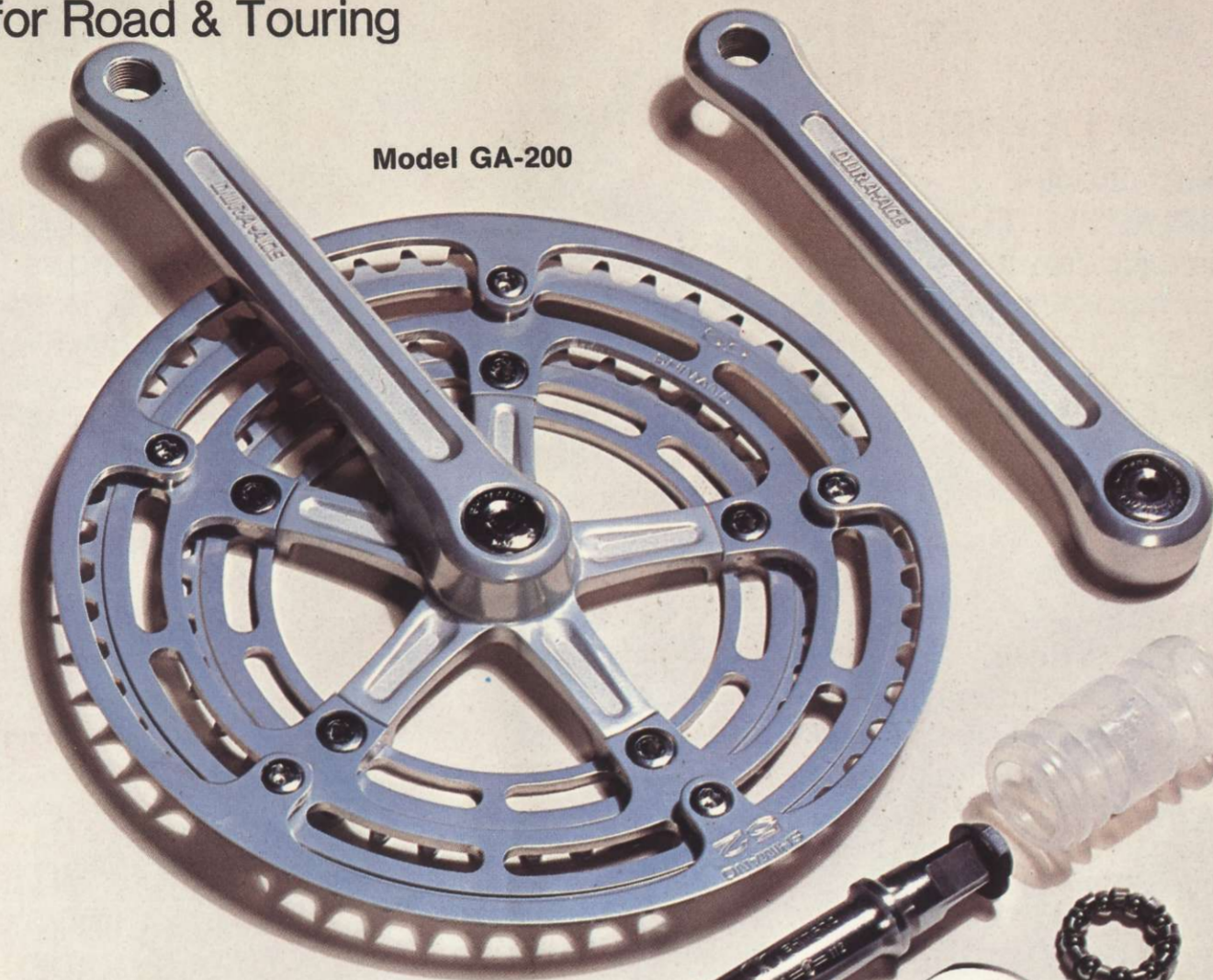




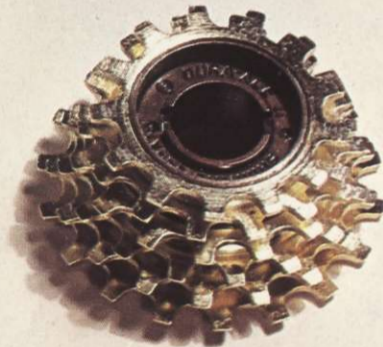
Shimano  
**DURA-ACE**  
Series for Road & Touring



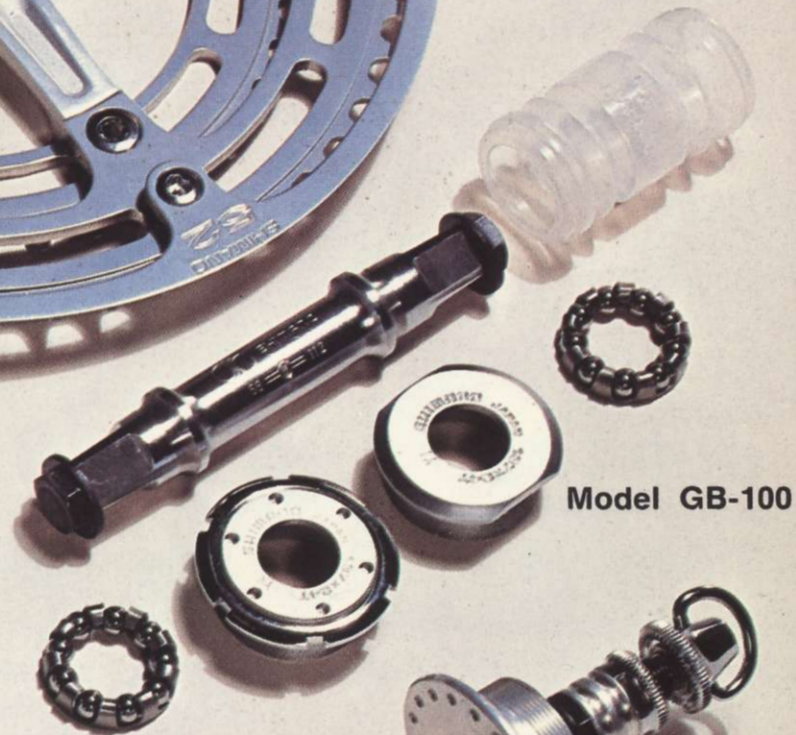
Model GA-200



Model FA-100



Model FA-110



Model GB-100



Model HA-200



Model HA-100

### Multiple Freewheel

Model FA-100 (5 Speed Gold)  
FA-110 (6 Speed Gold)

#### DURA-ACE

##### SPECIFICATIONS

Standard Sprocket: 1/2" x 3/32" Chain (2mm)  
Thread: 1.37" x 24" T.P.I.(English)  
Available by request 35 x 1.0 (French)  
Sprocket: Golden Finish  
Standard Sprocket Combinations:

5-speed	13, 15, 17, 19, 21T
	14, 16, 18, 20, 22T
	15, 17, 19, 21, 24T
6-speed	13, 14, 15, 16, 17, 18T
	13, 15, 17, 19, 21, 23T

### Light Alloy Hub

Model HA-100: Small Flange Hub

#### DURA-ACE

##### SPECIFICATIONS

Weight: Front 7.8 oz. (220 g)  
Rear/5-speed/10.7 oz. (305 g)  
Rear/6-speed/10.9 oz. (310 g)

Material: Duralumin  
Type: Quick Release  
Thread: 1.37" x 24 T.P.I. (English)  
Available by request 35 x 1.0 (French)  
Over Lock Nut Dimensions: Front 3.94" (100mm)  
Rear/5-speed/4.72" (120mm)  
Rear/6-speed/4.96" (126mm)  
Spoke Holes: 28H, 36H  
Available by request 24H, 32H, 40H  
Polished Ball Race

Model HA-200: Large Flange Hub

#### DURA-ACE

##### SPECIFICATIONS

Weight: Front 9.2 oz. (260 g)  
Rear/5-speed/11.6 oz. (330 g)  
Rear/6-speed/11.8 oz. (335 g)

Material: Duralumin  
Type: Quick release  
Thread: 1.37" x 24 T.P.I. (English)  
Available by request 35 x 1.0 (French)  
Over Lock Nut Dimensions: Front 3.94" (100mm)  
Rear/5-speed/4.72" (120mm)  
Rear/6-speed/4.96" (126mm)  
Spoke Holes: 28H, 36H  
Available by request 24H, 32H, 40H  
Polished Ball Race

### Front Chainwheel

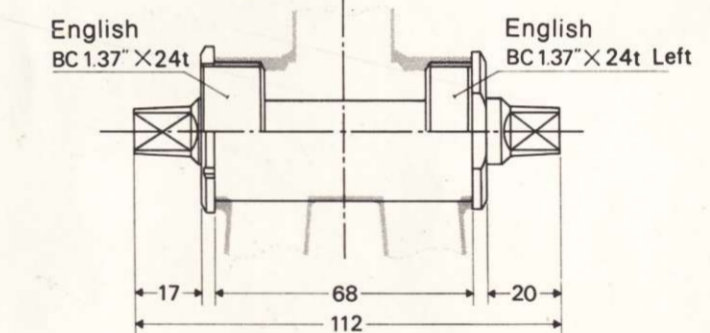
Model GA-200 (without Bottom Bracket Set)  
GB-100 (Bottom Bracket Set)

#### DURA-ACE

##### SPECIFICATIONS

Material: 14S Super Duralumin  
Type: Cotterless  
Chain Ring: 1/2" x 3/32" Chain (2mm)  
Teeth: Inner Chain Ring 39~48T  
Outer Chain Ring 48~55T  
Crank Lengths: 6-1/2" (165mm), 6-3/4" (170mm), 6-7/8" (175mm)  
Available by request 6-19/32" (167.5mm), 6-13/16" (172.5mm)  
Crank Thread: 9/16" x 20t  
Cup Thread: English 1.37" x 24t, French 35 x 1.0, Italian 36 x 24t  
Material of Chain Ring:  
Standard: 14S Duralumin (For Touring & Light Racing)  
Option: 75S Extra Super Duralumin (For Serious Racing)

##### Spindle Length:



### DURA-ACE Black Series

