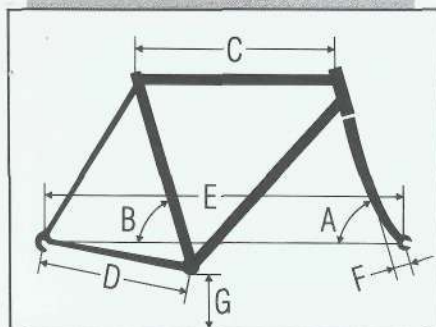


TimberWolf



| FRAME SIZE | A | B | C | D | E | F | G |
|------------|-----|-----|------|------|------|-----|------|
| 17/24 | 69° | 73° | 20 | 17.0 | 40.2 | 2.0 | 11.5 |
| 17/26 | 69° | 73° | 21.5 | 17.4 | 41.8 | 2.0 | 11.5 |
| 18 | 69° | 73° | 22 | 17.4 | 42.3 | 2.0 | 11.5 |
| 19 | 69° | 73° | 22 | 17.4 | 42.3 | 2.0 | 11.5 |
| 20 | 69° | 73° | 22.5 | 17.4 | 42.8 | 2.0 | 11.5 |
| 21.5 | 69° | 73° | 23 | 17.4 | 43.3 | 2.0 | 11.5 |
| 23 | 69° | 73° | 23.5 | 17.4 | 43.8 | 2.0 | 11.5 |
| 24 | 69° | 73° | 24 | 17.4 | 44.3 | 2.0 | 11.5 |
| 25 | 69° | 73° | 24.5 | 17.4 | 44.8 | 2.0 | 11.5 |

The **TIMBERWOLF** is a go-anywhere, challenge-anything type of Mountain Bike. As our entry level handbuilt, it exemplifies the original spirit of off-road riding and points to its future. The frame and fork are hand fillet brazed by TOM RITCHEY using RITCHEY 4130 chromoly double butted tubing. The modern geometry utilizes a comfortable yet positive 73° seat angle combined with a 69° seat angle that guarantees sure-footed stability. The component group is carefully selected from SHIMANO, SUNTOUR, and SPECIALIZED, with wheels featuring WHEELSMITH spokes and the RITCHEY QUAD 1.9 tire. Available in 8 sizes from the compact 17" frame/24" wheel to 25", and 4 choices of DUPONT IMRON colors, the **TIMBERWOLF** is the type of satisfying choice that will make you a proud RITCHEY owner for many years to come. ●



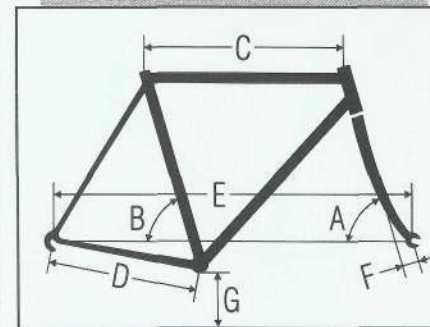
RITCHEY TIMBERWOLF™/SPECIFICATIONS

| | |
|-------------------------|--|
| FRAME | Designed and Built by TOM RITCHEY, using RITCHEY Double-Butted 4130 Chrome Molybdenum Frame Tubing. |
| FORK | Designed and Built by TOM RITCHEY, using RITCHEY 4130 Chrome Molybdenum UNIFORK Blades. |
| BRAZE-ONS | Double Water Bottle Bosses, Special Slotted Cable Stops and Guides. Cantilever Bosses Front and Rear. Dropout Eyelets Front and Rear. Additional Braze-On Options Available. |
| HANDLEBAR | RITCHEY Design Model I Chromoly TWINSTRUT. |
| SADDLE | SPECIALIZED Lambda. |
| SEATPOST | STRONG 260mm. |
| SEATPOST BOLT | SUNTOUR QR-170. |
| HEADSET | SHIMANO 600 EX. |
| BOTTOM BRACKET | SPECIALIZED Sealed with Chromoly Axle. |
| CRANKSET | SPECIALIZED SF-2 Triple. 46/36/26. Crank Length matched to Frame Size. |
| PEDALS | SUNTOUR XC "Bearpaw". |
| REAR DERAILLEUR | SHIMANO DEORE XT. |
| FRONT DERAILLEUR | SHIMANO DEORE XT. |
| SHIFT LEVERS | SHIMANO DEORE XT. |
| BRAKES | SHIMANO DEORE XT. |
| BRAKE LEVERS | MAGURA "Shorty". |
| HUBS | SUNTOUR XC Sealed. |
| RIMS | ARAYA RM 25. 26 X 1.75. |
| SPOKES | WHEELSMITH 14G Stainless. |
| TIRES | RITCHEY QUAD 1.9. |
| FREEWHEEL | SHIMANO NEW 600 EX 13-28 6 Speed. |
| CHAIN | SHIMANO UNIGLIDE. |
| WEIGHT | 27 lbs. |
| SIZES | 17/24", 17/26", 18", 19", 20", 21.5", 23". OPTION: 24", 25". (Center to Top) |
| COLOR | MEDIUM RICH BLUE METALLIC, MEDIUM JADE GREEN METALLIC, FIRETHORNE RED METALLIC, SLATE GREY METALLIC. OPTION: Most Dupont Imron Metallic Colors. |

aspEN



| FRAME SIZE | A | B | C | D | E | F | G |
|------------|-----|-----|------|------|------|-----|------|
| 17 | 69° | 73° | 21.5 | 17.4 | 41.8 | 2.0 | 11.5 |
| 18.5 | 69° | 73° | 22 | 17.4 | 42.3 | 2.0 | 11.5 |
| 20 | 69° | 73° | 22.5 | 17.4 | 42.8 | 2.0 | 11.5 |
| 21.5 | 69° | 73° | 23 | 17.4 | 43.3 | 2.0 | 11.5 |
| 23 | 69° | 73° | 23.5 | 17.4 | 43.8 | 2.0 | 11.5 |



After more than two years of design, research, and testing, RITCHEY Mountain Bicycles are becoming more affordable than ever. The **ASPEN** is the first in a series of performance TIG welded bicycles designed to give you maximum value. Using geometry of 73° seat, 69° head angle, and RITCHEY 4130 double butted chromoly tubing, the **ASPEN** is carefully handcrafted to our exacting standards. Components have been selected from SHIMANO, SUNTOUR, and SR to provide an excellent touring/racing crossover bicycle. Finished in Jade Green Metallic or Light Continental Blue with matching chromoly TWINSTRUT handlebars, the **ASPEN** is available in 5 sizes from 17" to 23". The **ASPEN**: be a part of the RITCHEY tradition at a down-to-earth price. ●

RITCHEY ASPEN™/SPECIFICATIONS

| | |
|-------------------------|--|
| FRAME | Designed by TOM RITCHEY, built using RITCHEY Double-Butted 4130 Chrome Molybdenum Frame Tubing. |
| FORK | Designed by TOM RITCHEY, built using RITCHEY 4130 Chrome Molybdenum UNIFORK Blades. |
| BRAZE-ONS | Double Water Bottle Bosses, Rear Rack, Special Slotted Cable Stops and Guides. Cantilever Bosses Front and Rear. Dropout Eyelets Front and Rear. |
| HANDLEBAR | RITCHEY Design Model I Chromoly TWINSTRUT. Painted to match Frameset. |
| SADDLE | SPECIALIZED Lambda. |
| SEATPOST | STRONG 260mm. |
| SEATPOST BOLT | SUNTOUR QR-170. |
| HEADSET | TANGE LEVIN Sealed. |
| BOTTOM BRACKET | SAKAE SR FX Sealed with Chromoly Axle. |
| CRANKSET | SAKAE SR FX Triple. 48/38/28. Crank Length matched to Frame Size. |
| PEDALS | SUNTOUR XC-2 "Bearpaw". |
| REAR DERAILLEUR | SHIMANO "Light Action" Long Arm. |
| FRONT DERAILLEUR | SHIMANO DEORE XT. |
| SHIFT LEVERS | SHIMANO DEORE XT. |
| BRAKES | SHIMANO DEORE XT. |
| BRAKE LEVERS | SUNTOUR SPORT XC. |
| HUBS | SUNTOUR XC Sealed Quick Release. |
| RIMS | ARAYA RM 20. 26 X 1.50. |
| SPOKES | WHEELSMITH 14G Stainless. |
| TIRES | RITCHEY QUAD 1.9. |
| FREEWHEEL | SHIMANO UNIGLIDE 13-28 6 Speed. |
| WEIGHT | 26.5 lbs. |
| COLOR | JADE GREEN METALLIC/CONTINENTAL BLUE METALLIC |
| SIZES | 17", 18.5", 20", 21.5", 23". (Center to Top) |