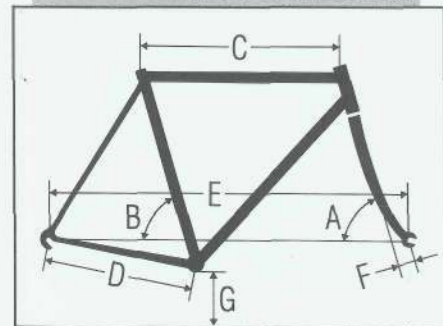


timbercomp



FRAME SIZE	A	B	C	D	E	F	G
17/24	69°	73°	20	17.0	40.2	2.0	11.5
17/26	69°	73°	21.5	17.4	41.8	2.0	11.5
18	69°	73°	22	17.4	42.3	2.0	11.5
19	69°	73°	22	17.4	42.3	2.0	11.5
20	69°	73°	22.5	17.4	42.8	2.0	11.5
21.5	69°	73°	23	17.4	43.3	2.0	11.5
23	69°	73°	23.5	17.4	43.8	2.0	11.5
24	69°	73°	24	17.4	44.3	2.0	11.5
25	69°	73°	24.5	17.4	44.8	2.0	11.5

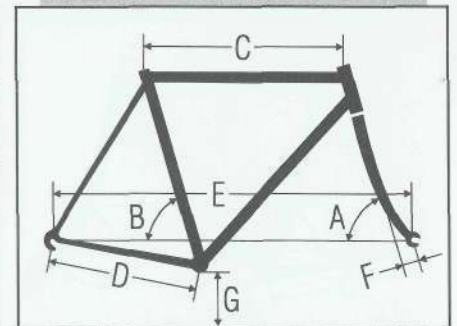
Using TIMBERWOLF frame tubing and geometry, the TIMBERCOMP is a rugged race/tour crossover bicycle that's hard to beat. Hand fillet brazed by TOM RITCHEY with RITCHEY 4130 chromoly double-butted tubing, the tough frameset can handle the challenge of a hard rider on rough terrain. The component group is full race: SPECIALIZED crankset, MAGURA brake levers, SUNTOUR roller cam rear brakes, and DURA-ACE cassette hubs on ARAYA RM 20 rims with WHEELSMITH spokes and RITCHEY QUAD 1.9 tires. With sizing the same as the TIMBERWOLF, and available in your choice of 4 DUPONT IMRON colors, the TIMBERCOMP takes to the wilds and delivers you full performance! ●



RITCHEY TIMBERCOMP™/SPECIFICATIONS

FRAME	Designed and Built by TOM RITCHEY, using RITCHEY Double-Butted 4130 Chrome Molybdenum Frame Tubing.
FORK	Designed and Built by TOM RITCHEY, using RITCHEY 4130 Chrome Molybdenum UNIFORK Blades.
BRAZE-ONS	Double Water Bottle Bosses, Special Slotted Cable Stops and Guides. Front Cantilever Bosses, Rear "Roller Cam" Bosses, Dropout Eyelets Front and Rear. Additional Braze-On Options Available.
HANDLEBAR	RITCHEY Design Model II Alloy Heat-Treated TWINSTRUT.
SADDLE	SPECIALIZED Lambda.
SEATPOST	STRONG 260mm.
SEATPOST BOLT	SUNTOUR QR-170.
HEADSET	SHIMANO 600 EX.
BOTTOM BRACKET	SPECIALIZED Sealed with Chromoly Axle.
CRANKSET	SPECIALIZED ST-2 Triple. 46/36/26. Crank Length matched to Frame Size.
PEDALS	SUNTOUR XC-2 "Bearpaw".
REAR DERAILLEUR	SHIMANO DEORE XT.
FRONT DERAILLEUR	SHIMANO DEORE XT.
SHIFT LEVERS	SHIMANO DEORE XT.
BRAKES	SHIMANO DEORE XT Front Cantilever. SUNTOUR XC SPORT "Roller Cam" on Chainstays.
BRAKE LEVERS	MAGURA "Shorty".
HUBS	SHIMANO NEW DURA-ACE Low Flange Quick Release Cassette 6 Speed.
RIMS	ARAYA RM 20.
SPOKES	WHEELSMITH 14G Stainless.
TIRES	RITCHEY QUAD 1.9.
FREEWHEEL	SHIMANO Cassette 12-28 6 Speed.
CHAIN	SHIMANO UNIGLIDE.
WEIGHT	26.5 lbs.
SIZES	17/24", 17/26", 18", 19", 20", 21.5", 23". OPTION: 24", 25". (Center to Top)
COLOR	MEDIUM RICH BLUE METALLIC, MEDIUM JADE GREEN METALLIC, SEMINOLE RED METALLIC, SLATE GREY METALLIC. OPTION: Most Dupont Imron Metallic Colors.

Ascent



FRAME SIZE	A	B	C	D	E	F	G
17	69°	73°	21.5	17.4	41.8	2.0	11.5
18.5	69°	73°	22	17.4	42.3	2.0	11.5
20	69°	73°	22.5	17.4	42.8	2.0	11.5
21.5	69°	73°	23	17.4	43.3	2.0	11.5
23	69°	73°	23.5	17.4	43.8	2.0	11.5

The fire red paint topped with black UNIFORK and TWINSTRUT handlebar gives the ASCENT away. This is a racing machine with top notch components and a proven design. Like the ASPEN, it is a TOM RITCHEY designed TIG welded frame using RITCHEY 4130 chromoly double-butted tubing. The competition geometry gives you a seat angle of 73° and a head angle of 69° to provide the best in performance and stability. CYCLIST magazine called the ASCENT "light, quick, and responsive ... an exceptionally efficient climber". The component group is a no-compromise selection of SHIMANO and SUNTOUR featuring DURA-ACE cassette quick release hubs, ARAYA RM 20 rims, heat treated alloy TWINSTRUT handlebar and SUNTOUR rear roller cam brakes mounted on the chain stays. The RITCHEY Evolution Continues with the ASCENT, a sleek combination of smoothness and power at a value-packed price! ●

RITCHEY ASCENT™/SPECIFICATIONS

FRAME	Designed by TOM RITCHEY, built using RITCHEY Double-Butted 4130 Chrome Molybdenum Frame Tubing.
FORK	Designed by TOM RITCHEY, built using RITCHEY 4130 Chrome Molybdenum UNIFORK Blades.
BRAZE-ONS	Double Water Bottle Bosses, Special Slotted Cable Stops and Guides. Front Cantilever Bosses, Rear "Roller Cam" Bosses, Dropout Eyelets Front and Rear.
HANDLEBAR	RITCHEY Design Model II Black Alloy Heat-Treated TWINSTRUT.
SADDLE	SPECIALIZED Lambda.
SEATPOST	STRONG 260mm.
SEATPOST BOLT	SUNTOUR QR-170.
HEADSET	SHIMANO 600 EX.
BOTTOM BRACKET	SHIMANO 600 EX Sealed with Chromoly Axle.
CRANKSET	SHIMANO 600 EX Triple. 48/38/28. Crank Length matched to Frame Size.
PEDALS	SUNTOUR XC-2 "Bearpaw".
REAR DERAILLEUR	SHIMANO DEORE XT.
FRONT DERAILLEUR	SHIMANO DEORE XT.
SHIFT LEVERS	SHIMANO DEORE XT.
BRAKES	SHIMANO DEORE XT Front Cantilever, SUNTOUR XC SPORT "Roller Cam" on Chainstays.
BRAKE LEVERS	SUNTOUR XC SPORT.
HUBS	SHIMANO NEW DURA-ACE Low Flange Quick Release Cassette 6 Speed.
RIMS	ARAYA RM 20.
SPOKES	WHEELSMITH 14G Stainless.
TIRES	RITCHEY QUAD 1.9.
FREEWHEEL	SHIMANO Cassette 12-28 6 Speed.
CHAIN	SHIMANO UNIGLIDE.
WEIGHT	26 lbs.
SIZES	17", 18.5", 20", 21.5", 23". (Center to Top)
COLOR	FIRE RED With BLACK Unifork and Twinstrut Handlebar.