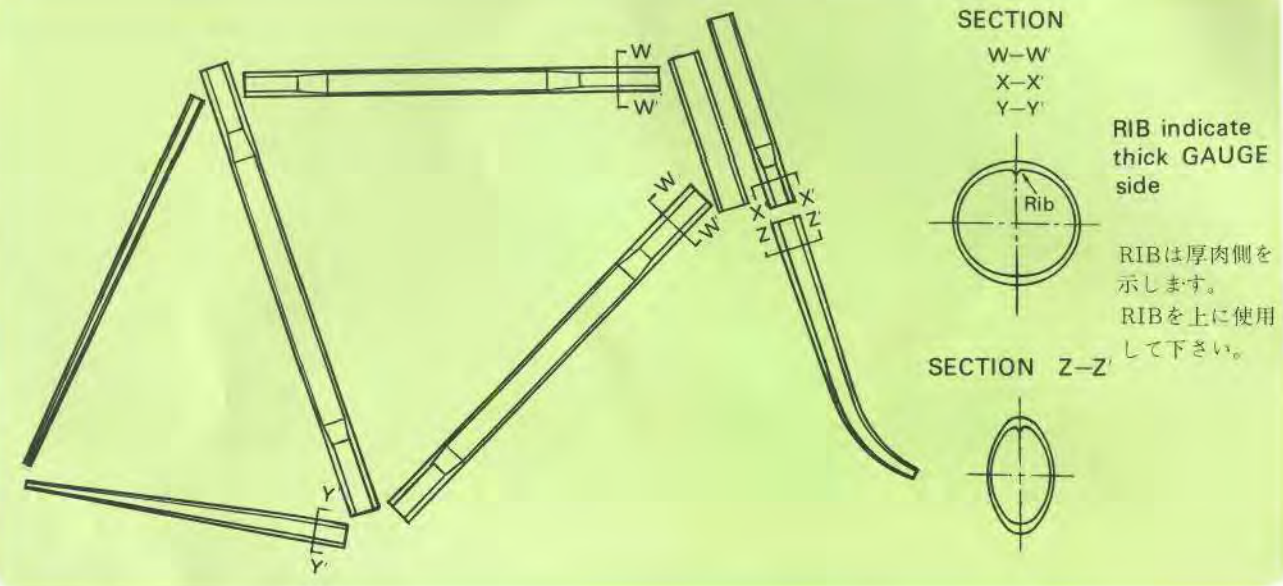
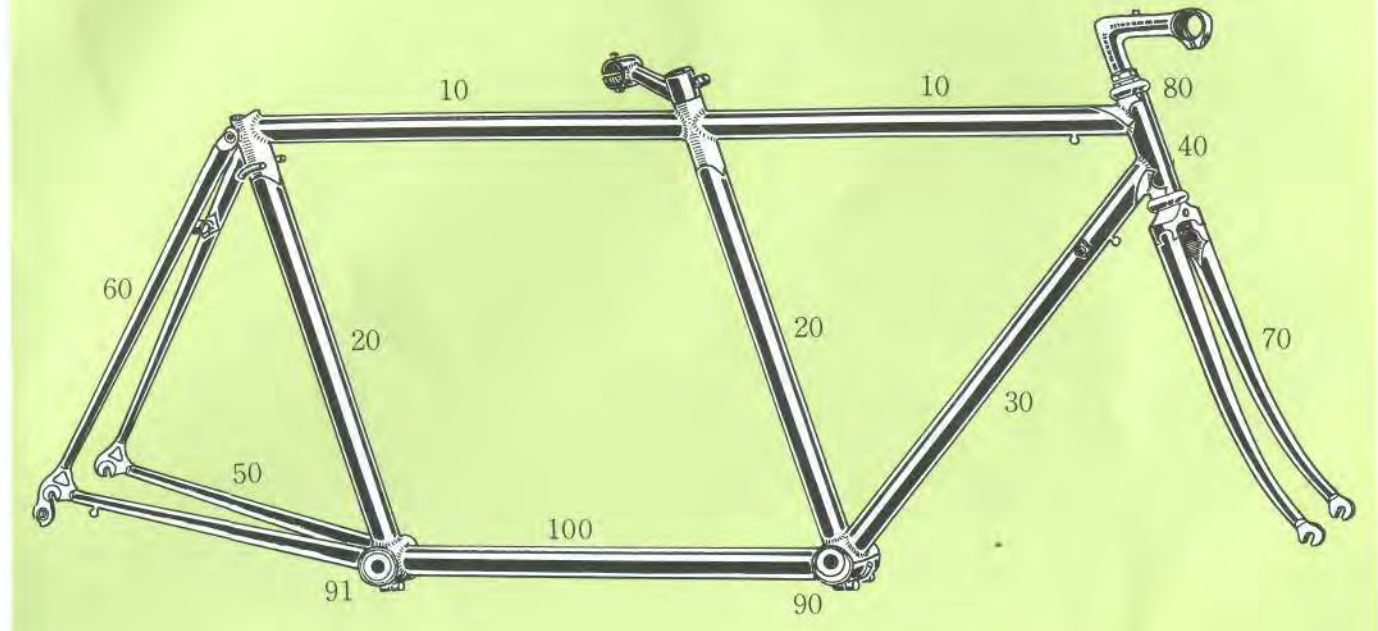


**FORK BLADES
OVAL TAPER GAUGE**



TANDEM TUBING SET

FULL SET OF CrMo TUBES



OVAL BUTTED. TAPER TUBING GROUP

Discription	Out Side Diameter	Thickness T ₁ /T ₂ x T ₃ x T ₄	Length	Weight
Top Tube	25.4	0.8/0.6x0.4x0.7 DBO	580	gr. 195
	25.4	0.9/0.7x0.5x0.8 DBO	580	gr. 230
Seat Tube	28.6	0.8x0.5 — SB	610	gr. 250
	28.6	0.9x0.6 — SB	610	gr. 305
	28.6	0.8x0.5x0.8 DB	610	gr. 280
	28.6	0.9x0.6x0.9 DB	610	gr. 325
Down Tube	28.6	0.8/0.6x0.45x0.7DBO	610	gr. 220
	28.6	0.9/0.7x0.5x0.8 DBO	610	gr. 275
Head Tube	31.8	— 1.0 — PG	180	gr. 140
Chain Stays	22.2	0.9/0.7x0.6 — TGO	410	gr. 320
Seat Stays	14.5	— 0.6 — PG	610	gr. 230
	14.5	— 0.8 — PG	610	gr. 280
Fork Blades	29x16/ 12.0	1.1/0.9x0.8 — TGO	400	gr. 330
	28x20/ 12.0	1.1/0.9x0.8 — TGO	400	gr. 365
Column	25.4	2.1/1.9x1.6 — SBO	200	gr. 190
		2.3/2.0x1.6 — SBO	200	gr. 205

Mark	Description	Out Side Diameter	Thickness T/T'	Length	Q'ty
10	Top Tube	28.6	1.0/0.7 DB	610	2PCS
20	Seat Tube	28.6	1.0 PG	610	2PCS
30	Down Tube	31.8	1.0 PG	610	1PCS
40	Head Tube	34.0	2.0 PG	200	1PCS
50	Chain Stays	24.0/12.0	1.0 PG	400	2PCS
60	Seat Stays	16.0/10.0	0.8 PG	610	2PCS
70	Fork Blades	28.0x20.0/14.0	1.5 PG	400	2PCS
80	Column	25.4	2.7/1.6 SB	240	1PCS
100	Oval Bottom Tube	49.0/32.0	1.25 PG	610	1PCS
90	Excentric B.B Front Shell Set				1SET
91	B.B Rear Shell Set				1SET
	B.B Clamp Bolts and Brazing Parts				4PCS

On order

- 1) Down Tube 31.8x2.0x610 PG
Seat Tube 31.8x2.0x610 PG with Top End of Seat Post Squeezing 28.6x0.9x80
- 2) Central Stays 16.0x0.8~PG
- 3) Seat Tube Bending for Short Wheel Base
- 4) Seat Stays Double Taper φ22.2x0.8~